

Alphacool article number: 25050

The Alphacool ES ServerRack was specially developed to hold Alphacool ES water cooling products. The housing offers mounting options for radiators, expansion tanks and of course all relevant hardware components. It is the ideal basis for controlling the increasing heat build-up of High-Performance components.

## Alphacool ES 2U ServerRack



Montagebeispiel  
(example of installation)



We assume no responsibility for any typing errors.

Alphacool International GmbH, Marienberger Strasse 1, 38122 Braunschweig Tel: (+49)0531 288 740 Supportmail: [info@alphacool.com](mailto:info@alphacool.com)

## Scope of delivery

Mounting screws

1 x slot bracket

1 x set of slide rails for rack mounting

1 x 2.5" 8-bay SSD/HDD bracket

2 x 3-bay bracket for 3.5" drives in 5.25" bay

1 x 3-bay 80mm fan and radiator bracket

## Data housing

Form factor	2U
Length	730,75 mm (28,77 Inch)
Width	478,50 mm (18,84 Inch)
Height	88,90 mm (3,5 Inch)
Weight (only case without common rails)	13,18 kg (29,05 lbs)
Material	Galvanised sheet steel
Material thickness	1,2 mm
Colour Case	Grey
Colour Front	Black

## Mainboard compatibility

Mainboard form factor	Mini-ITX, Micro-ATX, ATX, E-ATX, EE-ATX
-----------------------	---

## Drives

Standard	Optional
4 x 5,25"	Per double 5.25" bay, alternatively also 3 x 3.5" possible with adapter
8 x 2.5" HDD/SSD	

## Fans

Fan/radiator bracket	3 x 80 mm
----------------------	-----------

## Expansion cards

7 x 0,8" Low Profile PCIe Slots

## Download Links

Product pics	<a _pics.zip"="" href="https://www.alphacool.com/download/1020323_ES_2U_ServerRack19">https://www.alphacool.com/download/1020323_ES_2U_ServerRack19"_pics.zip</a>
Manual	<a href="https://www.alphacool.com/download/1020323_Alphacool_ES_2U_ServerRack_Watercooling_ready_manual.pdf">https://www.alphacool.com/download/1020323_Alphacool_ES_2U_ServerRack_Watercooling_ready_manual.pdf</a>

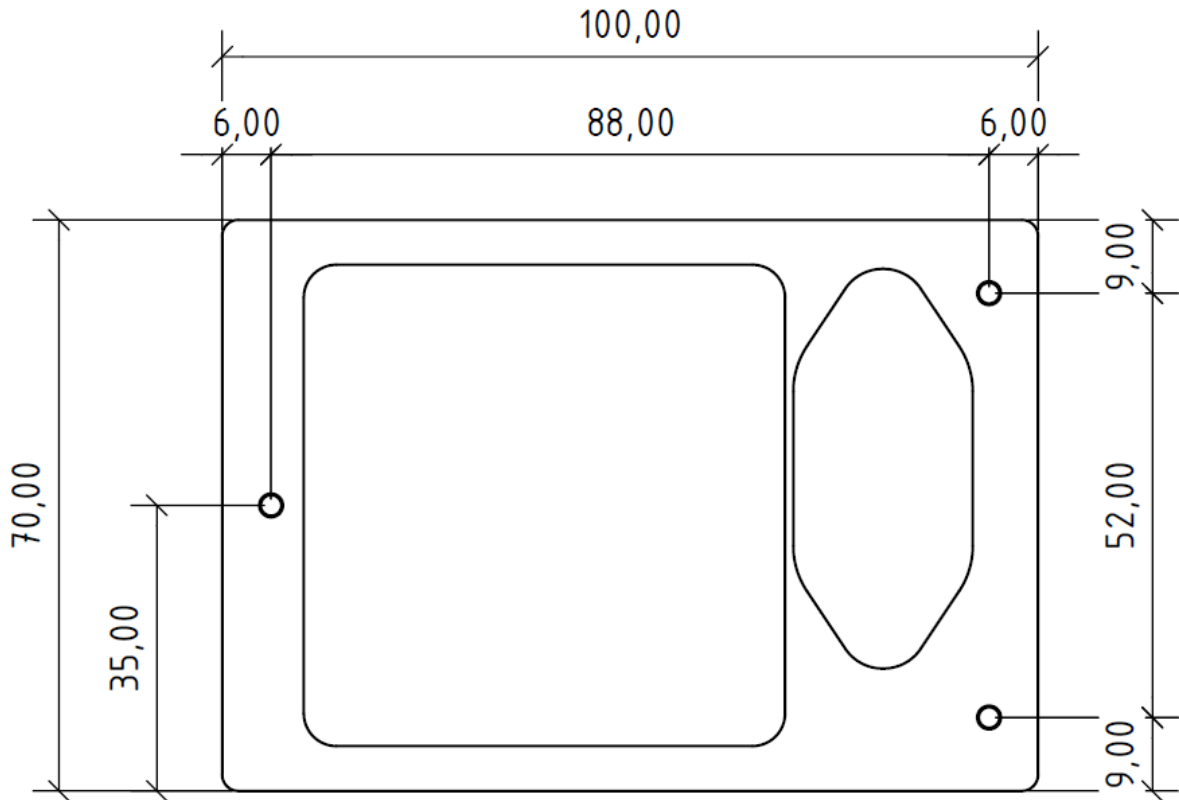
We assume no responsibility for any typing errors.

Alphacool International GmbH, Marienberger Strasse 1, 38122 Braunschweig Tel: (+49)0531 288 740 Supportmail: [info@alphacool.com](mailto:info@alphacool.com)

## Power supply compatibility

A selection of compatible power supplies

[https://www.alphacool.com/download/1U\\_2U\\_PSU\\_Compatibility\\_Serverrack.pdf](https://www.alphacool.com/download/1U_2U_PSU_Compatibility_Serverrack.pdf)



## Dimensions packing 1 unit

Length	800 mm (31,50 Inch)
Width	615 mm (24,21 Inch)
Height	170 mm (6,69 Inch)
Total weight	17,80 kg (29,24 lbs)

## Other data

Certificates	CE, FC, RoHS
EAN	4250197250504
Customs number	84733080000

We assume no responsibility for any typing errors.

Alphacool International GmbH, Marienberger Strasse 1, 38122 Braunschweig Tel: (+49)0531 288 740 Supportmail: [info@alphacool.com](mailto:info@alphacool.com)

## Compatible water cooling products

<b>Radiatoren</b>	<b>Artikelnummer</b>
NexXxoS UT60 Full Copper X-Flow 80mm Single (1 x 80mm)	<a href="#">14294</a>
NexXxoS UT60 Full Copper X-Flow 80mm Dual (2 x 80mm)	<a href="#">14295</a>
NexXxoS UT60 Full Copper X-Flow 80mm Tripple (3 x 80mm)	<a href="#">14296</a>

<b>Ausgleichsbehälter</b>	<b>Artikelnummer</b>
Alphacool Eisstation 80 DC-LT (Recommended pump: <a href="#">13154</a> )	<a href="#">15371</a>
Alphacool ES Reservoir 2U - DDC (Recommended pump: <a href="#">13991</a> )	<a href="#">15376</a>

<b>CPU cooler</b>	<b>Article number</b>
Alphacool Eisblock XPX 1U	<a href="#">12961</a>
Alphacool Eisblock XPX PRO 1U	<a href="#">12936</a>

<b>80 mm Lüfter</b>	<b>Artikelnummer</b>
Alphacool ES 80mm 800-6.000rpm PWM (80x80x25mm)	<a href="#">24829</a>

<b>I/O-Panel</b>	<b>Article number</b>
Alphacool Front I/O-Panel with USB 2.0 und and cable set	<a href="#">25054</a>

## Overview of specially adapted water cooling systems

<b>2U Water cooling kits</b>	<a href="#">Link to the complete overview of all sockets on the Alphacool website</a>
------------------------------	---

We assume no responsibility for any typing errors.

Alphacool International GmbH, Marienberger Strasse 1, 38122 Braunschweig Tel: (+49)0531 288 740 Supportmail: [info@alphacool.com](mailto:info@alphacool.com)

The Alphacool ES 2U ServerRack has been specifically optimised to accommodate water cooling sets that can dissipate up to 880W of waste heat in this enclosure. For this purpose, the enclosure not only offers a mounting frame for a maximum of one 4x80mm full copper radiator of the Alphacool NexXxoS series. The optionally available Alphacool ES 80 mm fans with PWM control ensure optimum cooling performance.

### **Drives**

The 2U server rack offers mounting options for four 5.25" drives on the left and right side of the front. Alternatively, each 5.25" bay offers the option of mounting three 3.5" drives via an enclosed adapter. A mounting frame for mounting up to six 2.5" drives is possible in the centre front. The mounting frame for the 2.5" can also be mounted in other places in the case.

### **Mainboard**

For mounting an SSI-EBB mainboard, all the usual screw connection options in the classic ATX format are available. This includes all mounting holes for Mini-ITX to EE-ATX. The case offers space for up to seven 0.8" low-profile cards.

### **Water cooling for 880W waste heat**

With an appropriate water cooling system, up to 880W of waste heat can be dissipated in this case. Alphacool offers special water cooling sets for this purpose, which can be individually configured and are delivered to the customer pre-filled. The mounting frame for the radiator and fans can be moved within the enclosure to suit any set-up.

**Please note: The case comes without I/O panel. Alphacool offers a separate set of I/O panel and cable harness under item number 25054.**