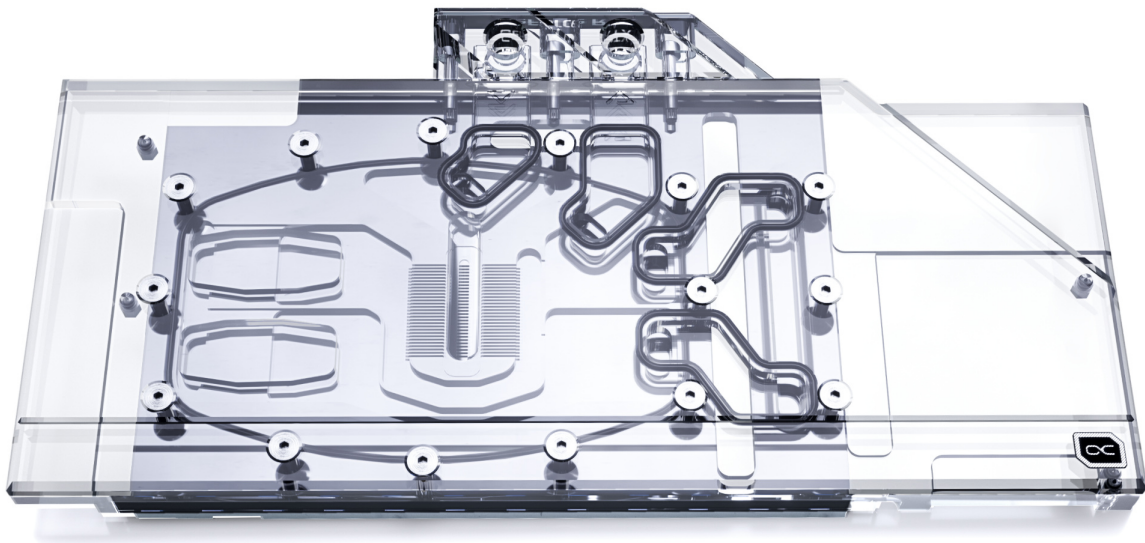


Alphacool Eisblock Aurora Acryl GPX-N RTX 3090/3080 Suprim X with Backplate

Alphacool article number: 11938



Quick Info

The Alphacool Aurora Acryl GPX-N RTX 3080/3090 Eisblock combines style with performance and extensive digital RGB lighting. With experience of over 17 years, Alphacool the ability to create GPU blocks that represent high quality and fantastic performance. This perfectly describes the Aurora Plexi GPX Eisblock.

- Fullcover water block
- Chrome plated copper cooler
- Adressable digital RGB LEDs

Compatibility

RTX 3080 TI

MSI GeForce RTX 3080 Ti Suprim X

MSI GeForce RTX 3080 Ti Gaming X Trio 12G

RTX 3080

MSI GeForce RTX 3080 Gaming X Trio 10G, 10GB GDDR6X, HDMI, 3x DP

MSI GeForce RTX 3080 Gaming Z Trio 10G, 10GB GDDR6X, HDMI, 3x DP (V389-045R)

MSI GeForce RTX 3080 Gaming Z Trio 12G LHR, 12GB GDDR6X, HDMI, 3x DP (V389-402R)

MSI GeForce RTX 3080 Suprim X 10G, 10GB GDDR6X, HDMI, 3x DP

MSI GeForce RTX 3080 Suprim X 12G LHR, 12GB GDDR6X, HDMI, 3x DP

RTX 3090

MSI GeForce RTX 3090 Gaming X Trio, 24GB GDDR6X, HDMI, 3x DP

MSI GeForce RTX 3090 Suprim X 24G, 24GB GDDR6X, HDMI, 3x DP

Scope of delivery

1x Eisblock Aurora Acryl GPX-N RTX 3090/3080 Suprim X	1x 8x77x3mm thermal pad
1x backplate	2x 15x51x3mm thermal pad
1x 8x77x1mm thermal pad	1x 15x38x3mm thermal pad
1x 15x78x1mm thermal pad	1x 15x15x3mm thermal pad
2x 15x51x1mm thermal pad	1x 8x100x3mm thermal pad
1x 15x38x1mm thermal pad	8x M2x8 Counter- sunk screws
1x 15x15x1mm thermal pad	4x M2x5 screws
1x 15x100x1mm thermal pad	4x M2x5 washers
1x 8x100x1mm thermal pad	8x M2x11 screws
1x 30x30x2mm thermal pad	2x Screw plugs
2x 15x51x2mm thermal pad	1x Thermal grease
1x 15x38x2mm thermal pad	1x Plug tool
1x 15x15x2mm thermal pad	1x Digital – RGB adaptor

Technical data cooler

L x W x H	295 x 152 x 25 mm
Material cooler	chrome-plated copper
Material cooler top	acrylic
Threads	4 x G1/4
Thickness cooling fins	0,6 mm
Maximum working temperature	60 °C
Illumination	Digital RGB LEDs
Power connector Digital RGB LEDs	3-Pin JST
Power Digital RGB LEDs	5V
Number of digital aRGB LEDs	12

Technical data backplate

L x W x H	295 x 125,75 x 6 mm
Material	aluminium
Color	black

Download links

Manual	11938_Alphacool_Eisblock_Aurora_Acryl_GPX-N_RTX_3090-3080_Suprim_X_with_Backplate_Manual.pdf
Product pictures	11938_Alphacool_Eisblock_Aurora_Acryl_GPX-N_RTX_3090-3080_Suprim_X_with_Backplate_pics.zip

Packaging dimensions per unit

L x W x H	355 x 170 x 40 mm
Weight	1970 g

Other data

Certificates	CE, FC, RoHS
EAN	4250197119382
Customs code	84195080900

The Alphacool Aurora Acryl GPX-N RTX 3080/3090 Eisblock combines style with performance and extensive digital RGB lighting. With experience of over 17 years, Alphacool the ability to create GPU blocks that represent high quality and fantastic performance. This perfectly describes the Aurora Plexi GPX Eisblock.

More Performance!

During the development of the Eisblock Aurora GPX-N RTX 3080/3090 graphic card GPU block, we wanted to further increase the performance. The first step was to move the cooler closer to the individual components by reducing the thermal pads to a thickness of 1 mm. Next, we reduced the thickness of the chrome-plated copper block. Instead of 7 mm, it is now only 5.5 mm thick. The water flow inside the cooler has also been optimized. All important components such as the voltage transformers and the memory are now significantly better and more effectively cooled by the water. All this ensures a significant increase in cooling performance.

New Design!

The Eisblock Aurora GPX-N RTX 3080/3090 cooler has been designed so that lighting is more important than the previous models. The addressable digital RGB LEDs are embedded directly into the cooling block and run along the entire cooling block. The effect is an illumination of the entire cooling block. No corner or edge remains unlit by the aRGB LEDs. The new design is more angular with all edges bevelled. This promotes better light diffusion in the water cooler due to the reflections on these bevels. In addition, they create various contours, which give the Aurora GPX-N RTX 3080/3090 Eisblock cooler its very own unique identity.

Copper or Aluminium?

Alphacool uses only copper for all water-bearing parts. Copper has almost twice the thermal conductivity of aluminum and is therefore clearly the better choice of material for water cooling. The cooler is made entirely of chrome-plated copper. A chrome plating is much harder than a nickel plating and therefore less sensitive to acids, scratches and damage. It completely eliminates the risk of chipping nickel plating. Additionally, chrome plating looks much more homogeneous and provides a shine that cannot be achieved by nickel plating.

Is There Anything Else New?

The Eisblock Aurora GPX-N RTX 3080/3090 also relies on the new patented stop fittings, which sit flush with the surface of the terminal. The Alphacool logo now sits in the corner on the top and is also fully illuminated. On the front of the terminal you can see the corresponding names of the compatible graphic card types. Of course, these are also fully illuminated by the digital LEDs. IN and OUT are now marked by small triangles. They are easily recognizable and fit perfectly into the entire aesthetics of the graphic card water cooler.

The Alphacool Aurora GPX-N RTX 3080/3090 Acryl is a complete redevelopment of the previous Alphacool graphics card water coolers. No technical compromises were made, but the entire technical know-how flowed into the development and implementation.

ALL DIMENSIONS ARE IN mm.

